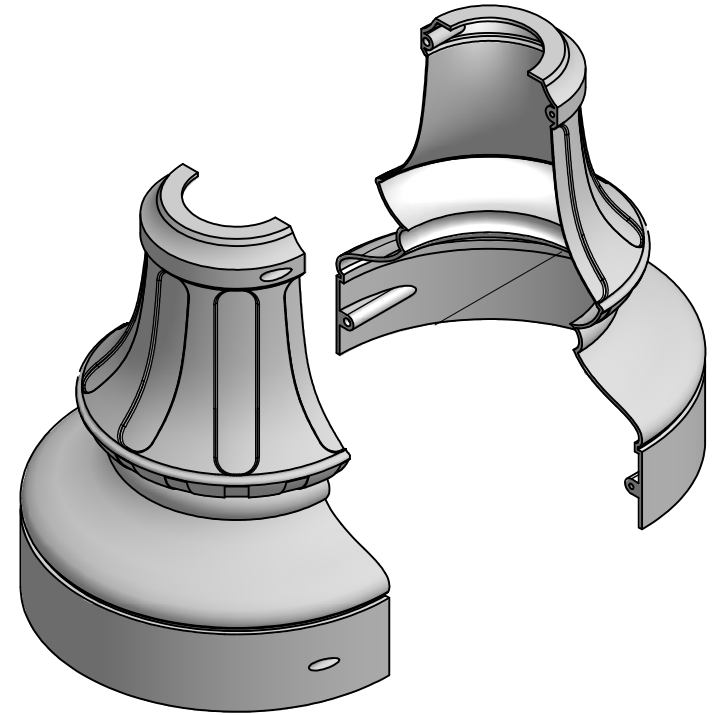
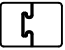
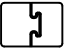


NOTE: FINISH SHALL BE POLYESTER POWDER COAT
IN A STANDARD COLOR.



CLAMSHELL BASE CASTING

DRAWN M. HARVALA	11/18/2010	 UNIPOST POLES, INC 23171 GROESBECK HWY. WARREN, MI 48089	
CHECKED			
QA		TITLE	
MFG			
APPROVED			
		SIZE C	DWG NO B1-CS
		SCALE	REV
		SHEET 1 OF 1	