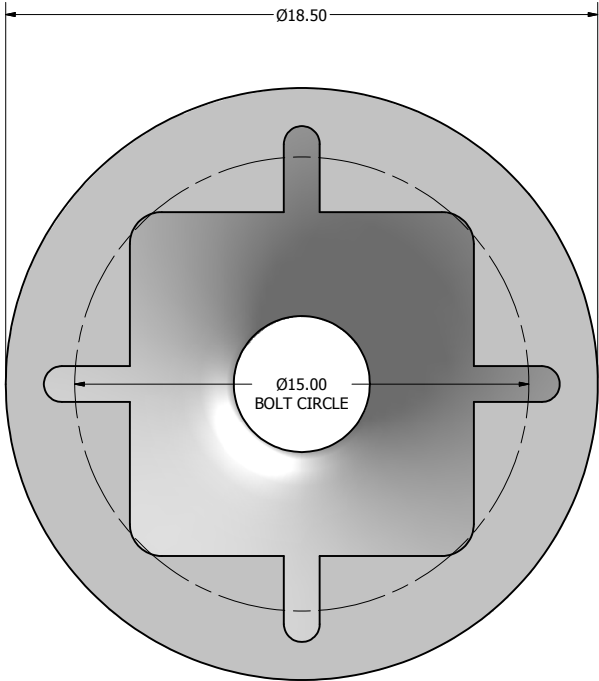
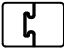
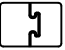


NOTE: FINISH SHALL BE POLYESTER POWDER COAT IN A STANDARD COLOR.

\*\*NOTE: FOR ALUMINUM POLES ONLY\*\*



BASE CASTING BOTTOM VIEW

DRAWN M. HARVALA	11/18/2010	 <b>UNIPOST POLES, INC</b> 23171 GROESBECK HWY. WARREN, MI 48089	
CHECKED			
QA		TITLE	
MFG			
APPROVED			
		SIZE C	DWG NO B3
		SCALE	REV
		SHEET 1 OF 1	