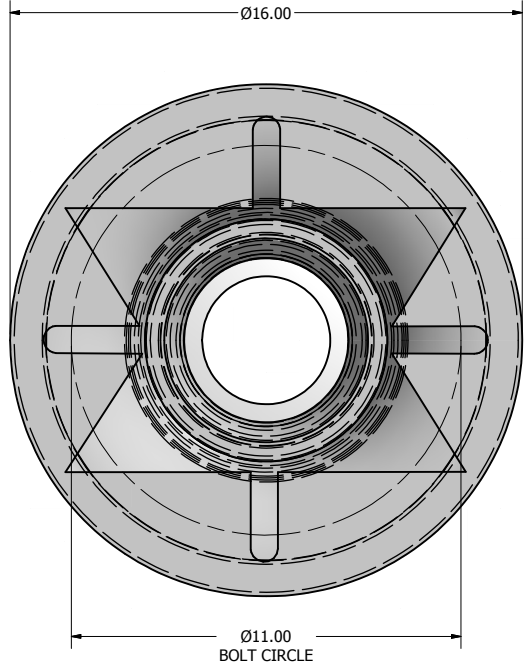
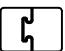
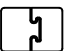


NOTE: FINISH SHALL BE POLYESTER POWDER COAT IN A STANDARD COLOR.

****NOTE FOR ALUMINUM POLES ONLY****



BASE CASTING BOTTOM VIEW

DRAWN M. HARVALA	11/18/2010	 UNIPOST POLES, INC 23171 GROESBECK HWY. WARREN, MI 48089	
CHECKED			
QA		TITLE	
MFG			
APPROVED			
		SIZE C	DWG NO B5
		SCALE	REV
		SHEET 1 OF 1	